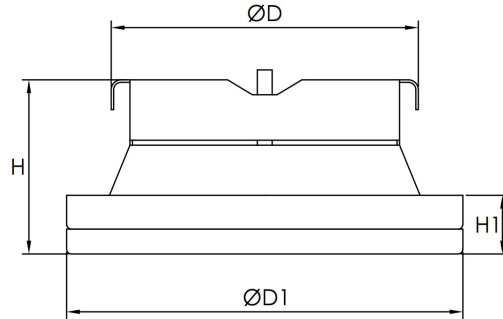


Metal supply diffuser DMKP



Description

Metal diffuser for supply ventilation with low noise levels and new sleek design.

Technical data

Construction Made from polymer coated steel, adjustable air flow, clip fixing, gasket for better airtightness.
Installation Wall or ceiling mounting with all types of circular ducts.
Colors White RAL9016.

Dimensions

Type	ØD [mm]	ØD1 [mm]	H [mm]	H1 [mm]	m [kg]
DMKP80	79	107	70	25	0,23
DMKP100	99	135	70	25	0,29
DMKP125	124	160	70	25	0,36
DMKP160	159	195	74	25	0,50
DMKP200	199	230	78	25	0,65

Technical specifications

